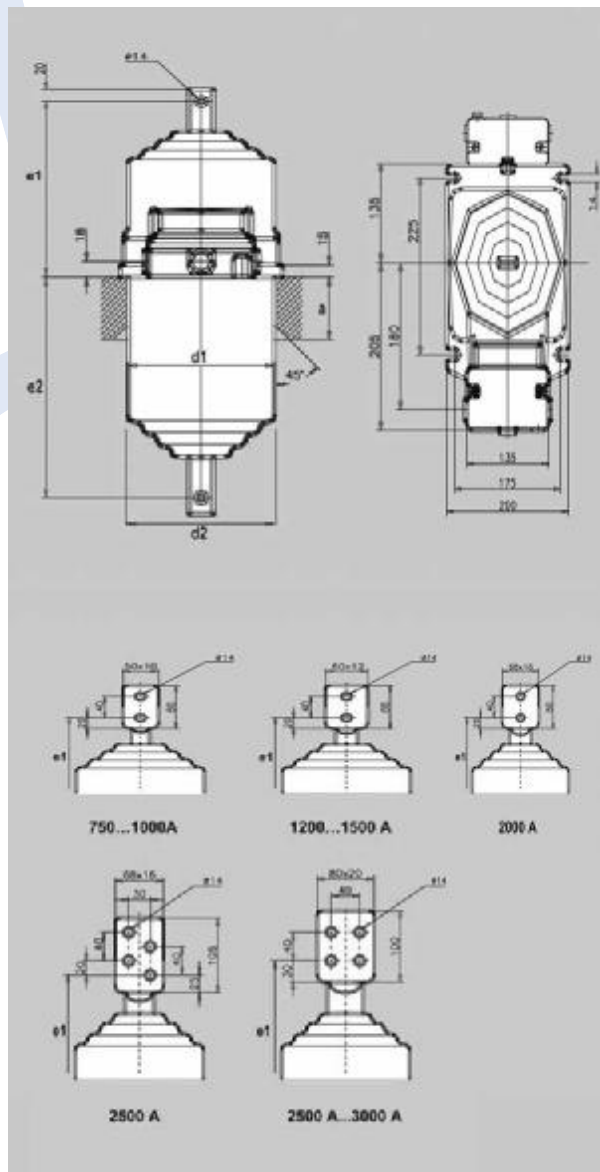


## 2.1.6 Bushing Type Current Transformer Indoor GDS 12 | 17,5 | 24 | 36



TYPE GDS		Dimensions mm						
		GDS 12			GDS 24		GDS 36	
Size		0	1	2	3	1	2	1
a		50	60	115	195	60	140	60
d <sub>1</sub>		180						
d <sub>2</sub>		185						
e <sub>1</sub>	1500 A	190	190	255	315	255	315	315
	2000 A	195	195	260	320	260	320	320
	2500 A	215	215	280	340	280	340	340
e <sub>2</sub>	1500 A	150	210	270	330	270	330	330
	2000 A	155	215	275	335	275	335	335
	2500 A	175	235	295	355	295	355	355
Gewicht [kg]		12-18	16-22	28-32	34-40	28-32	35-40	35-40

TYPE GDS		GDS 12	GDS 17,5	GDS 24	GDS 36
U <sub>m</sub>	kV	12	17,5	24	36
Test voltages	kV	28   75	38   95	50   125	70   170
Rated Primary Current – I <sub>PN</sub>	A	150 bis 2500   Auf Anfrage 3000 A			
Rated Secondary Current – I <sub>SN</sub>	A	1   5	1   5	1   5	1   5
Rated Short Time Thermal Current – I <sub>th</sub>	kA	up to 1000 x I <sub>PN</sub>   max. 100 kA			
Rated peak Current – I <sub>dyn</sub>	kA	2,5 x I <sub>th</sub>			
Core(s), Number of Cores		Must be determined on the basis of the requirements accuracy class, over-current code.			
Frequency	Hz	50   60			

Technical modifications rights reserved